



Technical News

Sony Imaging Products & Solutions Inc. © 2018

Ref. No.	Issuer company	Issue (yyyy/mm/dd)	Last modification (yyyy/mm/dd)
PV18NEX531	Digital Imaging Group	2018/09/14	
Subject			
Prevent lens front breakage			
Model (System model)	Destination	Serial number	Color
SEL2470GM	All	1800001 ~ 1883269	

SYMPTOM

The front of the lens breaks due to drop

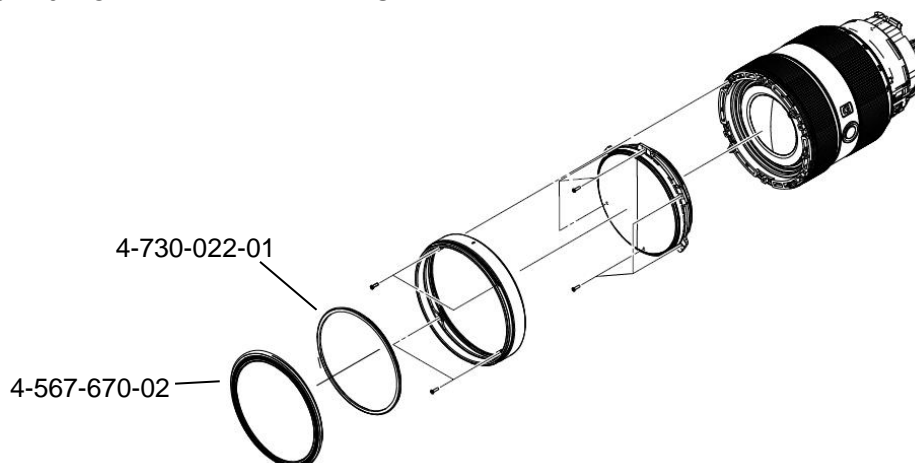


CAUSE

The structure was designed to transmit shocks easily

REQUIRED PART / TOOL / SOFTWARE

The following parts are changed and added.
 4-567-670-01 ⇒ 4-567-670-02: ORNAMENTAL PLATE
 4-730-022-01: ORNAMENTAL PLATE SHEET



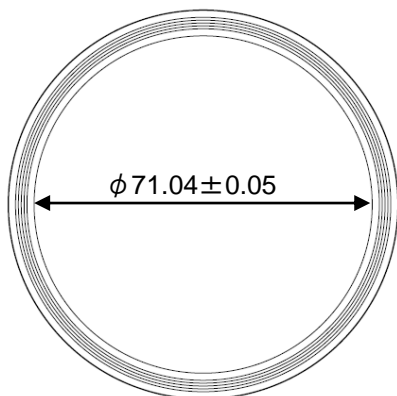
Conditions of Use:

- (1) Only Sony Group employees are permitted to access and use this information. To disclose or disseminate to any other parties is forbidden.
- (2) Destroy or erase any and all portion of this information promptly in an irrecoverable and secure fashion, after achieving the purpose of use of this information.
- (3) Do not copy, replicate, reproduce, alter, translate, transmit, sell, lease, or distribute this information in whole or in part without the prior written permission of the author. (Notwithstanding foregoing, it is permitted to copy and distribute this information to the Sony Group employees whose duties a need-to-know.)
- (4) Please notify immediately any leakage, loss, theft, misappropriation, or other misuse of this information by e-mail to the following address:
somk-gcs-tissnexam-adm@jp.sony.com

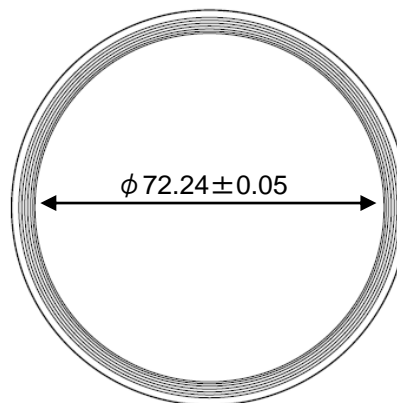
Revision of Information:

This information may be changed or updated at any time without any prior notice. Please confirm that this information is up-to-date before using it.

4-567-670-01



4-5670670-02

**SOLUTION**

If you accepted with the above symptoms, please take the following measures.

• Replace the 1ST LENS ASSY (A-2072-006-A).

*In case of the assembled ORNAMENTAL PLATE was 4-567-670-01:

1. Add ORNAMENTAL PLATE SHEET (4-730-022-01).
2. Exchange the ORNAMENTAL PLATE to 4-567-670-02